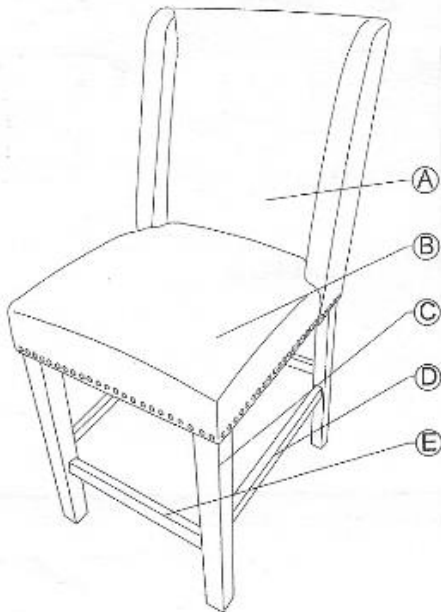




# CAROLINA CHAIR & TABLE COMPANY

Thank you for purchasing a Carolina Chair & Table Company product. This product has been designed for easy assembly and is constructed for durability. Please take this time to read and follow the assembly instruction carefully. If a part or hardware is missing or you have any difficulties in assembling this product, please contact us Toll-Free at 1-800-228-3876.

## ASSEMBLY INSTRUCTION ITEM#9003-24



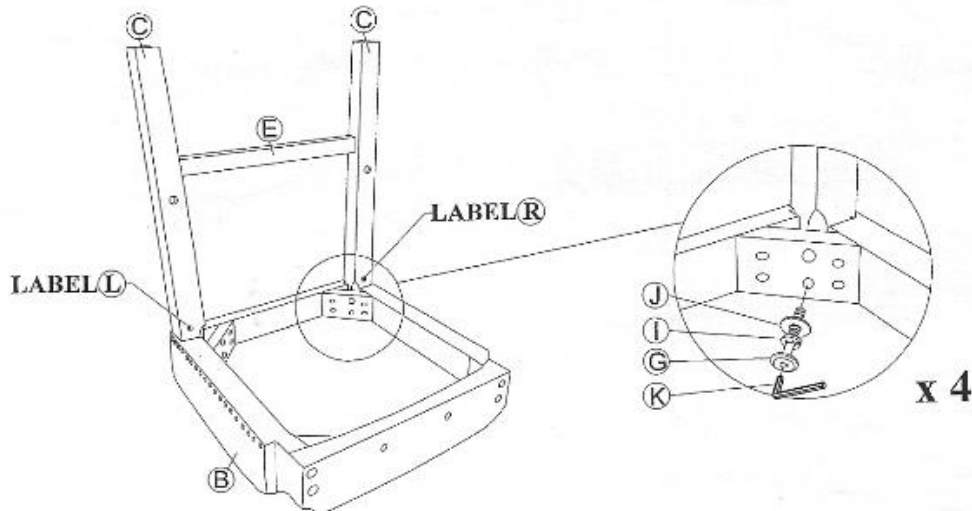
## PARTS CHECK LIST

| CODE | COMPONENTS           | Q'TY |
|------|----------------------|------|
| (A)  | BACK REST            | x01  |
| (B)  | SEAT FRAME           | x01  |
| (C)  | FRONT LEG (L&R)      | x02  |
| (D)  | SIDE STRETCHER (L&R) | x02  |
| (E)  | FRONT STRETCHER      | x01  |

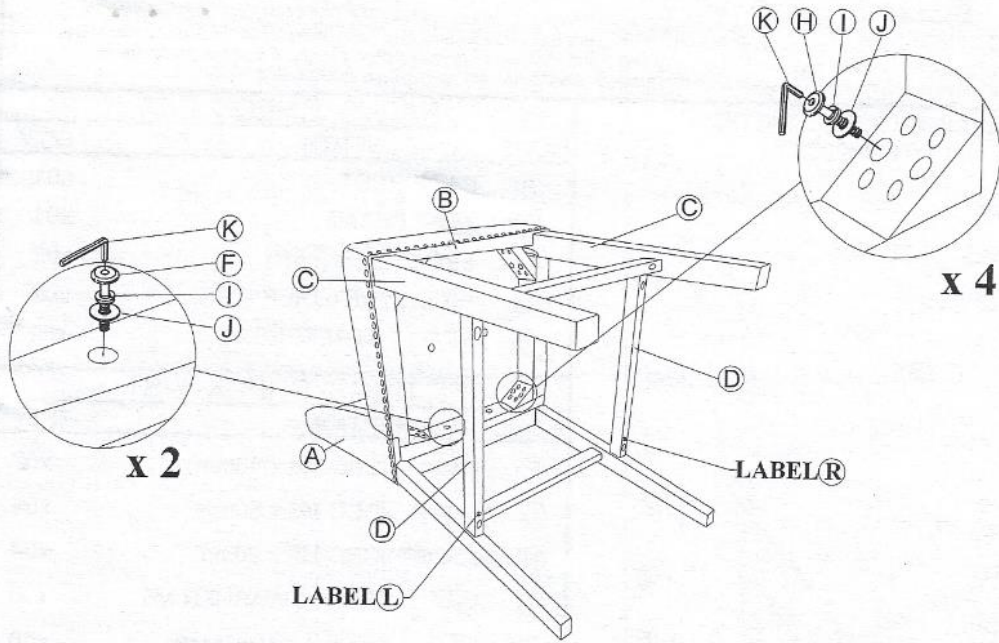
## FITTINGS CHECK LIST

| CODE | DESCRIPTION                        | Q'TY |
|------|------------------------------------|------|
| (F)  | JCBC M6 x 40mm                     | x02  |
| (G)  | JCBC M6 x 60mm                     | x04  |
| (H)  | JCBC M6 x 90mm                     | x04  |
| (I)  | SPRING WASHER M6                   | x10  |
| (J)  | FLAT WASHER M6                     | x10  |
| (K)  | ALLEN KEY M4                       | x01  |
| (L)  | PAN HEAD RATTAN SCREW<br>M4 x 38mm | x06  |

1. Assemble front legs (C) and front stretcher (E) to the seat frame (B) with JCBC (G), spring washer (I) and flat washer (J). Do not tighten all the screws until fully set up.



2. Assemble seat frame (B) and side stretcher (D) to the back rest (A) with JCBC (F), JCBC (H), spring washer (I) and flat washer (J). Do not tighten all the screws until fully set up.



3. Assemble side stretcher (D) and front stretcher (E) to the seat frame (A) with pan head rattan screw (L). Please make sure all screws are tightened 100%.

